

# NEW PRODUCT

## Product Specifications

NATIONAL SLEEP FOUNDATION

The **Bedroom Machine**

by **austin**

### Portable Room Air Cleaner



#### STAGE 1 - Large Particle Pre-filter

- Removes particles easily seen by the naked eye (e.g. dust, hair and pet dander)

#### STAGE 2 - Medium Particle Pre-filter

- Removes small to medium size particles (e.g. molds, spores and pollen)

#### STAGE 3 - 15 lbs. of Proprietary Carbon Blend

- Removes chemicals, gases and odors (e.g. sulfuric acid and ammonia)

#### STAGE 4 - 60 sq. ft. of Certified HEPA

- Removes 99.97% of all particles larger than 0.3 microns

#### STAGE 5 - HEGA Carbon Cloth

- High Efficiency Gas Arrestance

#### FAN/MOTOR ASSEMBLY

- Centrifugal fan
- 3-speed control switch
- PSC motor
- Power - 1.2 amp
- 132 watts at highest setting
- CSA, NRTL and CE approved

#### HOUSING CONSTRUCTION

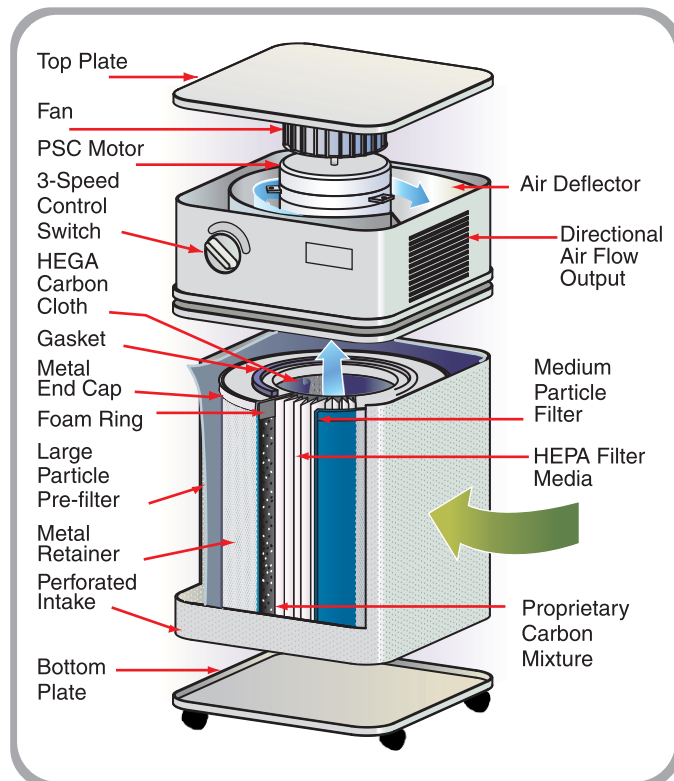
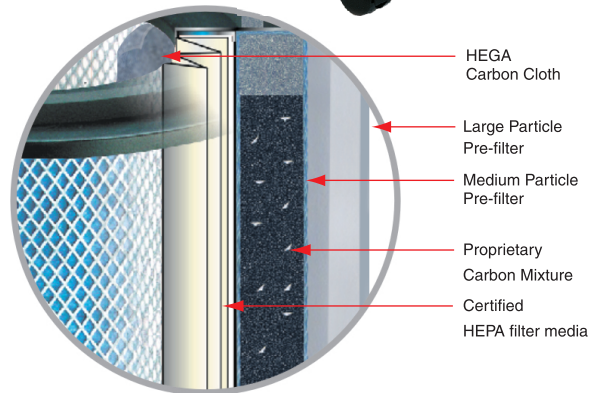
- 22 gauge steel
- Powder coating paint finish
- 360 degree intake

#### DIRECTIONAL AIR FLOW

Austin Air's directional air flow allows you to direct air into breathing area where you stand, sit or sleep.

#### DIMENSIONS

- Height: 23 inches
- Width: 14.5 x 14.5 inches
- Weight: 45 pounds



**Airfilterstore.com**  
<http://www.airfilterstore.com>  
[getinfo@airfilterstore.com](mailto:getinfo@airfilterstore.com)  
**HotSpot for Birds**  
<http://www.hotspot4birds.com>  
[getinfo@hotspot4birds.com](mailto:getinfo@hotspot4birds.com)  
**(888)246-8776 (323)851-1878**

#### WARRANTY

Five years on all parts and labor excluding the filter cartridge. The filter cartridge comes with a 5 year pro-rated guarantee.



[www.austinair.com](http://www.austinair.com)